

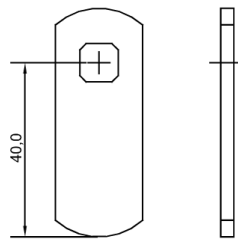
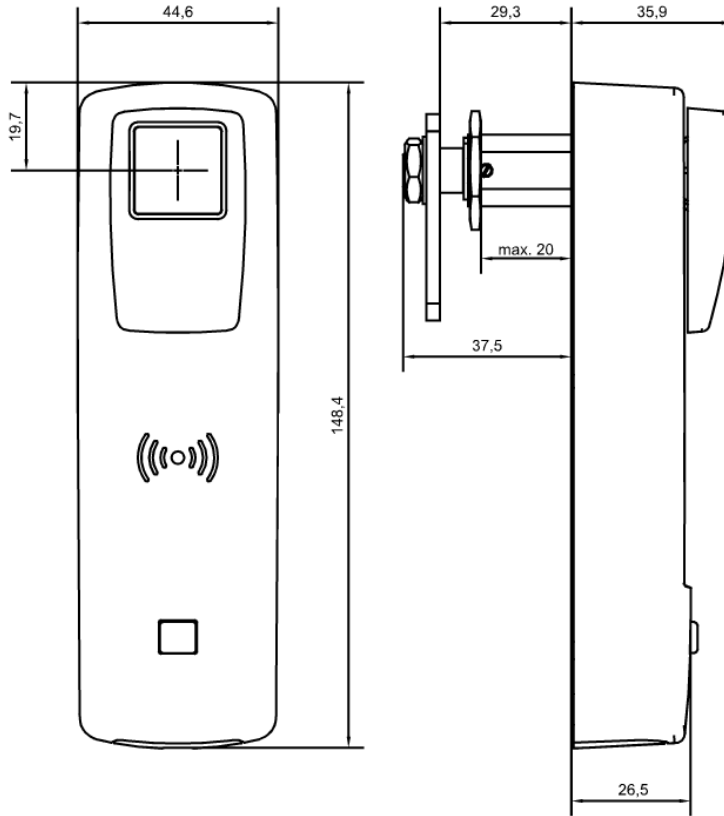
Datasheet

SensoLock® locker lock for MIFARE or Prox

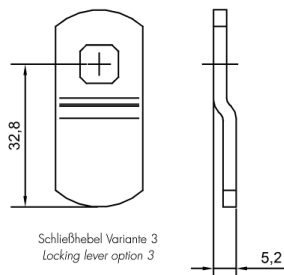


Technical data	
Power supply	1 battery, type AA Lithium 3.6 V
Battery life cycle	Up to 200.000 actuations during one battery life cycle
Low-Power opening	Change battery
Wiring required	No
Operating temperature	-20°C to +65°C
Storage temperature	-40°C to +65°C
Functions	
Automatic activation of knob electronics when scanning a card/tag	Yes
Engagement time	Programmable from 1 to 15 seconds
Actuation time	Programmable from 1 to 15 seconds
Identification by passive transponder in the card/tag	Yes (without power supply)
Housing	
Size	148.4 x 44.6 x 35.9 mm
Material:	Housing: PC-ABS plastic Backplate: PA6 GF30 plastic
Mounting	Indoor
Types	
SensoLock® transponder versions	Mifare stand-alone, Mifare offline and Prox stand-alone
SensoLock® locking lever sizes	Straight, 2 mm lowered, 7 mm lowered
Prox stand-alone specifications	
Administration	Programming card, systemcard, battery change card, and disassembly card
Transmit frequency	125 kHz EM-Marine proximity card reader
Number of authorizations programmable	96
Mifare stand-alone specifications	
Administration	Programming card, systemcard, battery change card, and disassembly card
Transmit frequency	13.56 MHz Mifare-NFC card reader
Number of authorizations programmable	96
Mifare offline specifications	
Administration	Configuration card, event card, blacklist card, battery card, and disassembly card
Transmit frequency	13.56 MHz Mifare-NFC card reader
Customizable access group authorization	Yes
Events logged in the knob	Up to 424
Number of authorizations programmable	Unlimited*
Control access with time schedules and card validation	Yes*

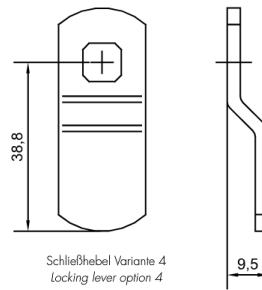
* Depending on the version



Schließhebel Variante 2
Locking lever option 2



Schließhebel Variante 3
Locking lever option 3



Schließhebel Variante 4
Locking lever option 4